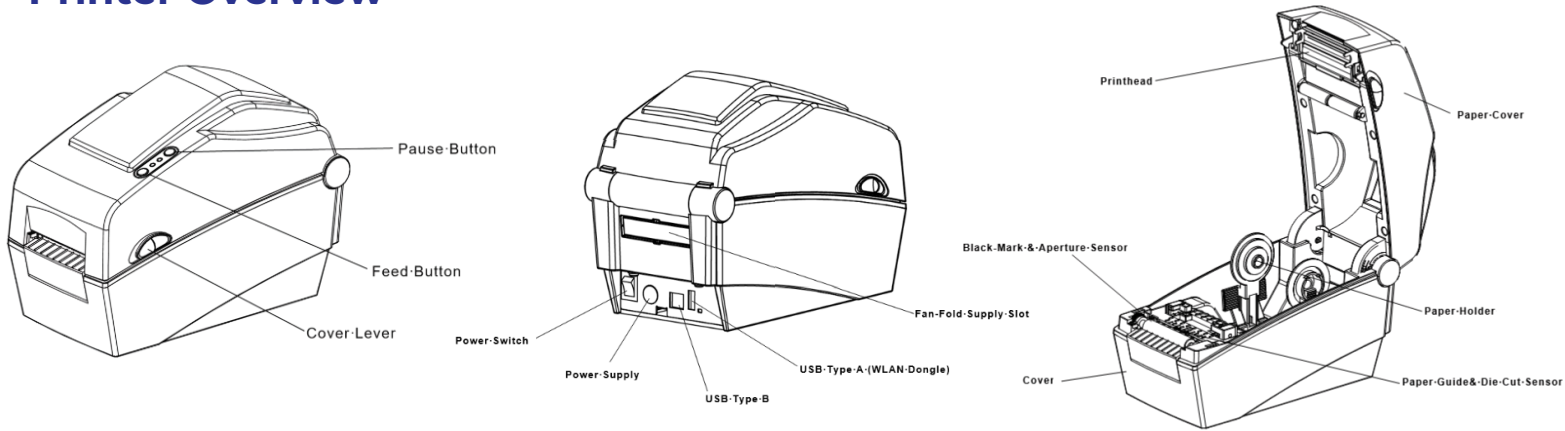
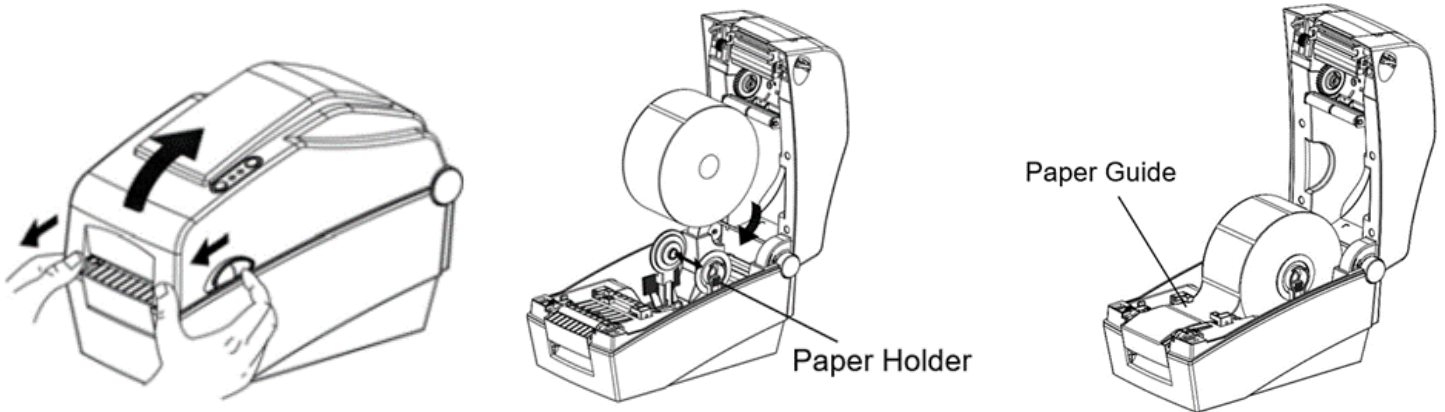


Printer Overview

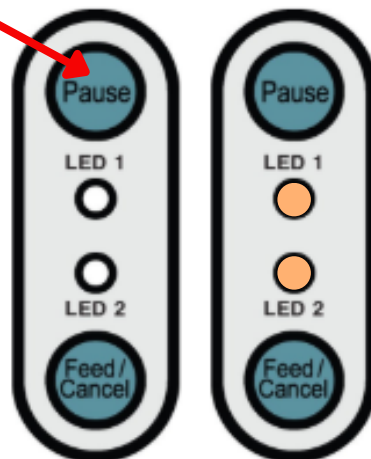
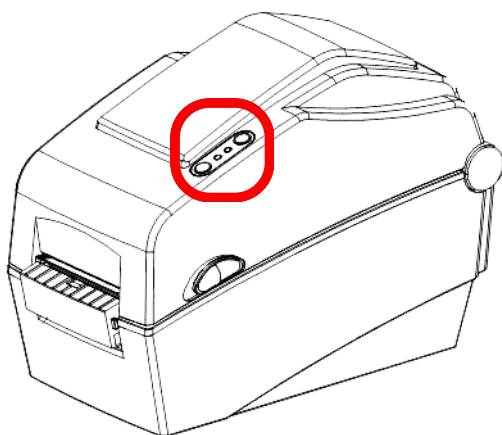


Loading the Labels



Calibrating the Printer (Diecut Labels)

Press and hold **PAUSE**.
 Release button when both lights turn **ORANGE**.



Click **FEED/CANCEL** when
 LED 1 = **ORANGE**
 LED 2 = **BLINKING GREEN**

